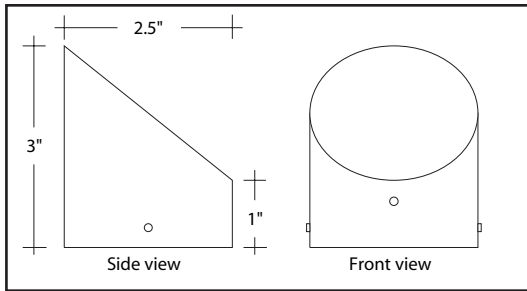


ACCESSORIES

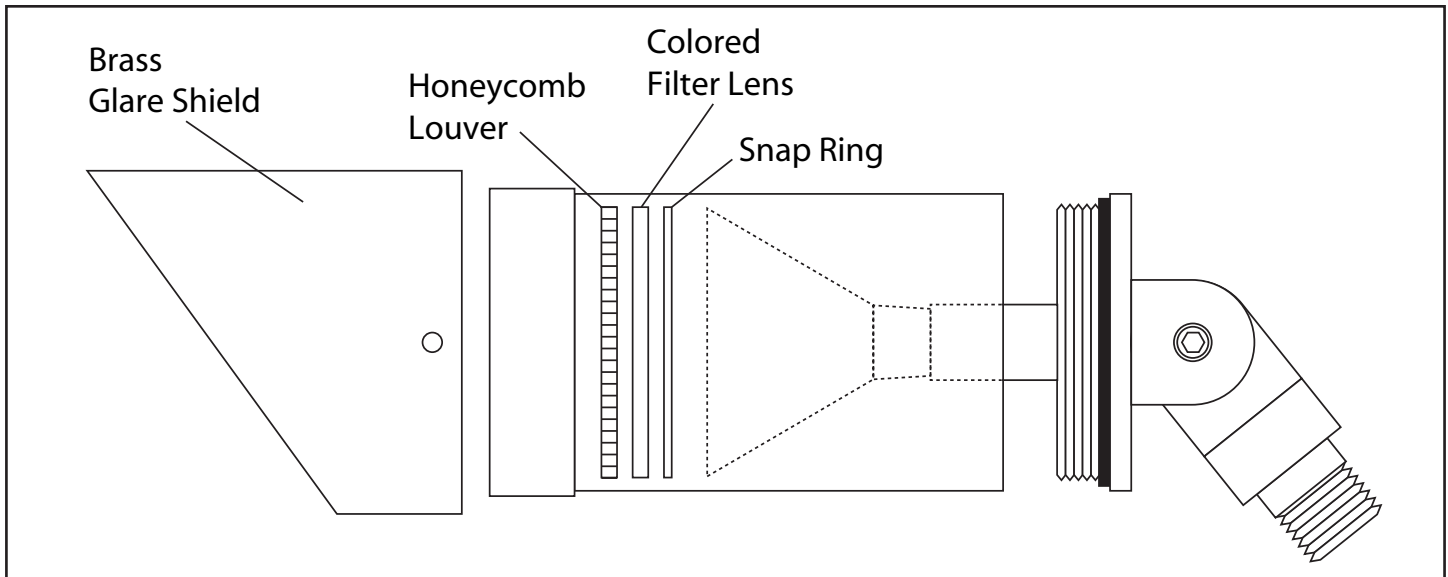
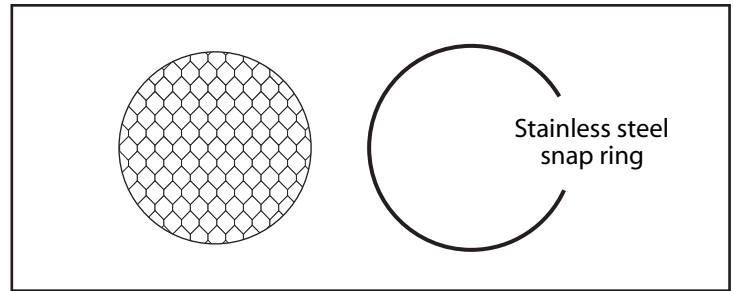
BGS-1 - Brass Glare Shield

(2) stainless steel set screws secure shield to fixture housing. For use with all L-009 and L-011 series fixtures

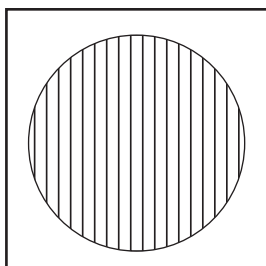


HL-1 - Honeycomb Louver

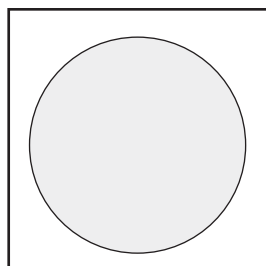
Reduces glare on fixtures using MR-16 lamp. 1/8" thick MilBrite aluminum. Louver is held in place by stainless steel snap ring.



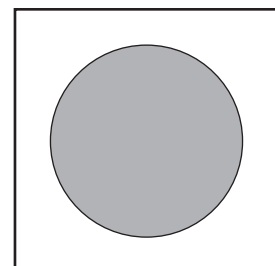
Glass Types / Lenses



RT - Rectilinear Lens
Projects a rectangular spread pattern when used with a narrow spot MR-16 lamp



FR - Frosted Lens
Softens intensity of MR-16 lamp



Color Filters
1/8" thick fits inside fixture housing. Secured by stainless steel snap ring.
RED- RED BLU- BLUE
YEL- YELLOW GRE- GREEN

Ordering Example

L-011 — BAB — BGS-1 — HL-1 — GRE
Fixture Model Lamp Type Accessories

Seashore Lighting • 941-753-0349 • www.SeashoreLighting.com