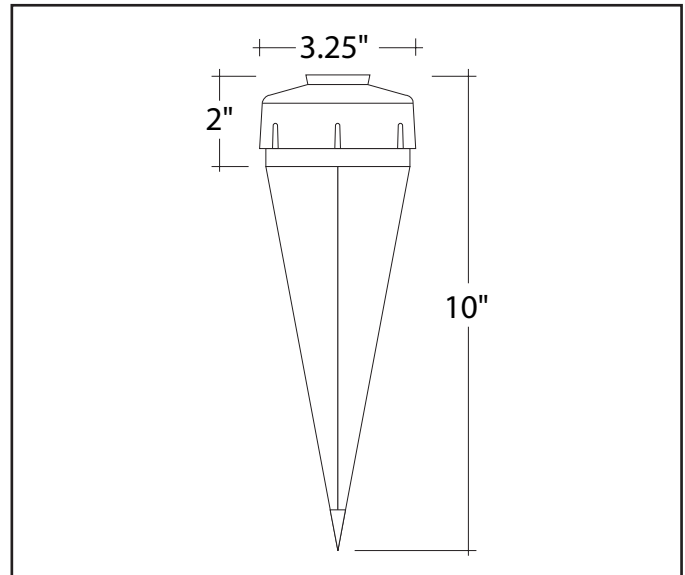


## MODEL # GS-1

Spike can be easily pounded into most soils.

Ideal for light to medium weight fixtures.

Bottom portion splicing area has two knockout holes, allowing for splicing within spike for fixtures in series, or: fixture wire can exit through one of the knockout holes for an in-ground connection using silicone-filled wire nuts. This latter method is recommended when using 8/2 wire.



## MODEL # GS-2

Heavy-duty mounting spike has horizontal grid to help maintain stability.

Recommended for fixtures with extra length stems, including #L-011-S and most "R series" pathlights.

Landscape lighting cable from the transformer (as well as the wire to the next fixture) is brought up from the bottom of the GS-2. Splicing with fixture wire is done just below "cap" of GS-2. Silicone-filled wire nuts are recommended.

Due to the length and wiring configuration of the GS-2, a pre-dug hole is required. Dirt is then to be hard-packed around GS-2 when back-filled.

