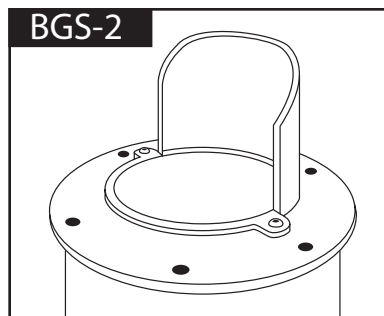
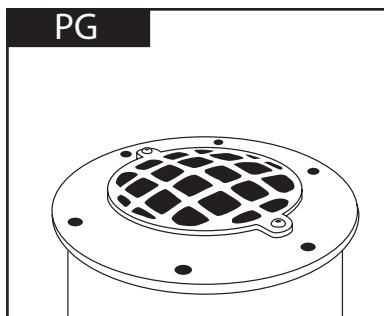
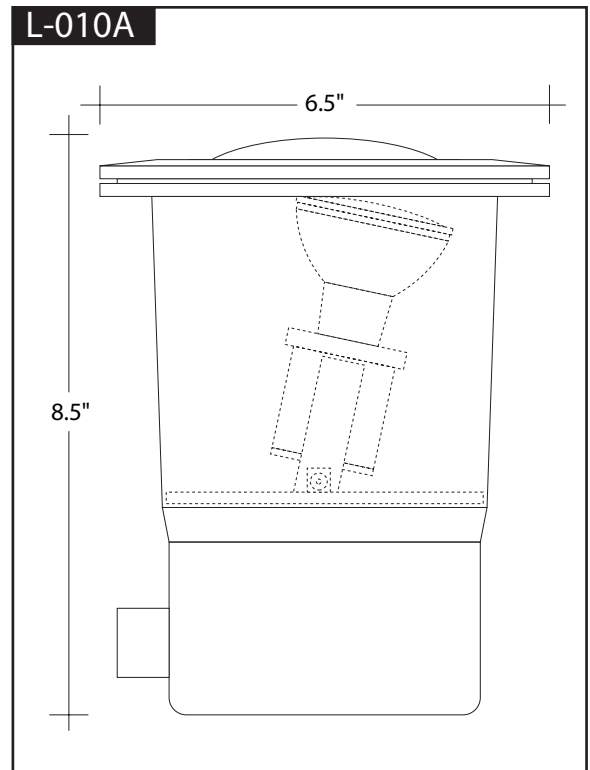
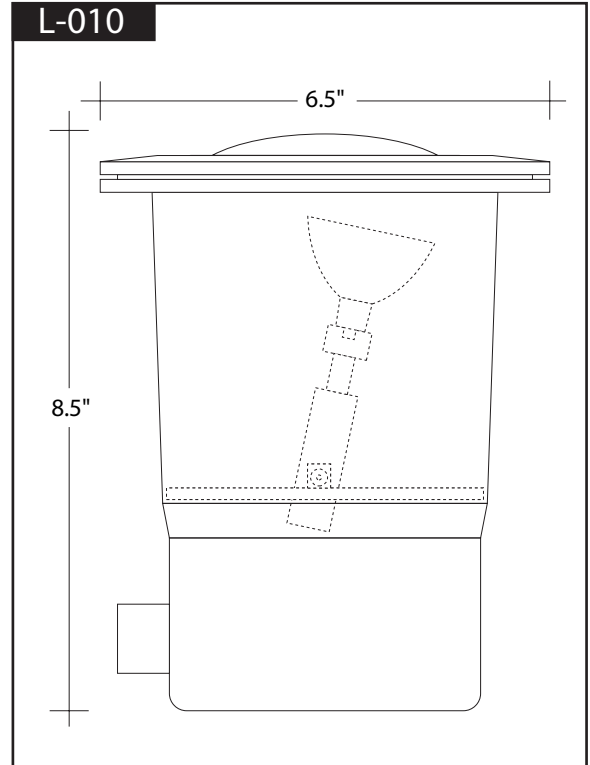


MODEL # L-010 / L-010A

- Voltage:** L-010 12 volts
L-010A 120 volts
- Construction:** Bronze cover and mounting plate over a PVC housing.
- Lens:** Convex tempered glass.
- Mounting:** In ground mounting. Can be mounted in concrete with optional brass flush ring.
- Finish:** Unfinished. Bronze fixture and accessories will weather to a natural patina finish.
- Aiming:** Full 360 degree rotation & up to 25 degrees from vertical.
- Accessory:** PG Bronze protection grate for glass.
BGS-2 Bronze glare shield.
*PG and BGS-2 can be used separately or in conjunction with each other.
CR Brass ring for flush concrete installation
- Lamp:** L-010 MR-16 bi-pin halogen, 12 volt.
- | | | |
|--------|-------------------|--------------|
| JR-10 | 10 watt medium | (24 degrees) |
| ESX | 20 watt spot | (12 degrees) |
| BBF | 20 watt medium | (24 degrees) |
| BAB | 20 watt flood | (36 degrees) |
| BAB/60 | 20 watt superwide | (60 degrees) |
| FMT | 35 watt spot | (12 degrees) |
| FMV | 35 watt medium | (24 degrees) |
| FMW | 35 watt flood | (36 degrees) |
| FMW/60 | 35 watt superwide | (60 degrees) |
| EXT | 50 watt spot | (12 degrees) |
| EXZ | 50 watt medium | (24 degrees) |
| EXN | 50 watt flood | (36 degrees) |
| FNV | 50 watt superwide | (60 degrees) |
- L-010A par 20 halogen, 120 volt.
- | | | |
|------------|----------------|--------------|
| 50PAR20SP | 50 watt spot | (12 degrees) |
| 50PAR20NFL | 50 watt medium | (24 degrees) |
| 50PAR20SP | 50 watt wide | (36 degrees) |



Ordering Example

L - 0 1 0 — B A B — P G — B G S - 1
 Fixture Model Lamp Type Accessories