

# MODEL # L-011

**Construction:** All brass components, 1/8" thick brass housing.

**Lens:** Tempered glass, stepped to prevent "pooling" of water on lens.

**Mounting:** 1/2" male thread. Mounts into standard J-box or:  
 GS-1 Standard ground spike  
 GS-2 Heavy duty ground spike  
 TDM-1 Tree / Deck mount  
 TDM-2 Tree mount with strap (specify length)

**Finish:** Unfinished. Fixture will weather to a natural patina finish.

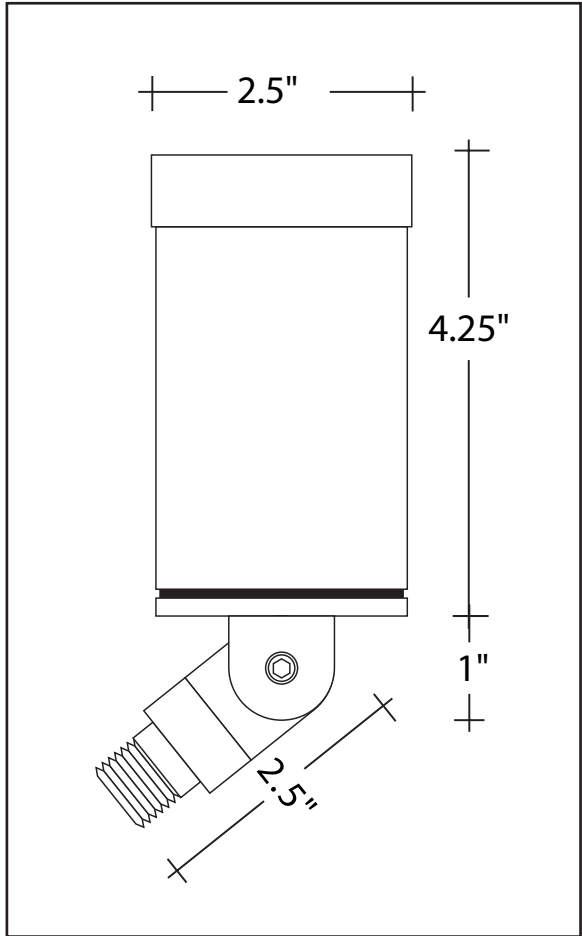
**Accessory:** BGS-1 Brass glare shield.  
 HL-1 Honeycomb louver.

**Voltage:** 12 volts.

**Lamp:** MR-16 bi-pin halogen, 50 watt maximum. Lamp is recessed in fixture to reduce glare.

JR-10	10 watt medium	(24 degrees)
ESX	20 watt spot	(12 degrees)
BBF	20 watt medium	(24 degrees)
BAB	20 watt flood	(36 degrees)
FMT	35 watt spot	(12 degrees)
FMV	35 watt medium	(24 degrees)
FMW	35 watt flood	(36 degrees)
EXT	50 watt spot	(12 degrees)
EXZ	50 watt medium	(24 degrees)
EXN	50 watt flood	(36 degrees)

See separate MR-16 lamp sheet for data.



## Ordering Example

**L-011 — BAB — TDM-1 — BGS-1 — HL-1**

Fixture Model      Lamp Type      Mounting Accessory      Other Accessories

