

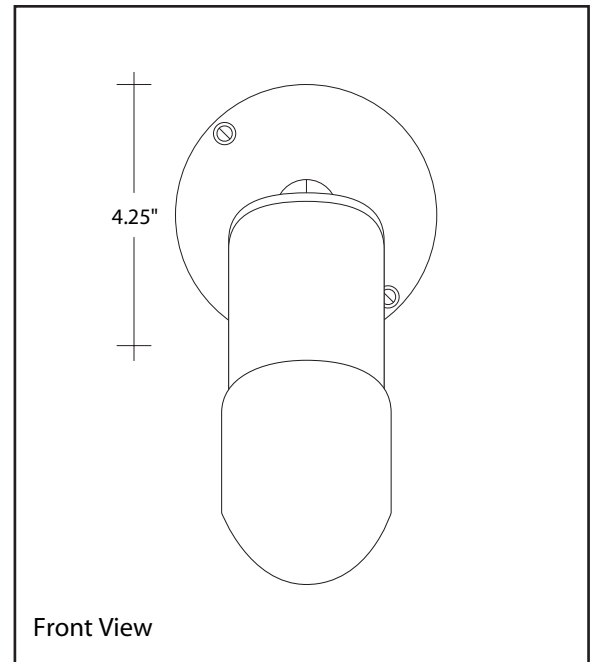
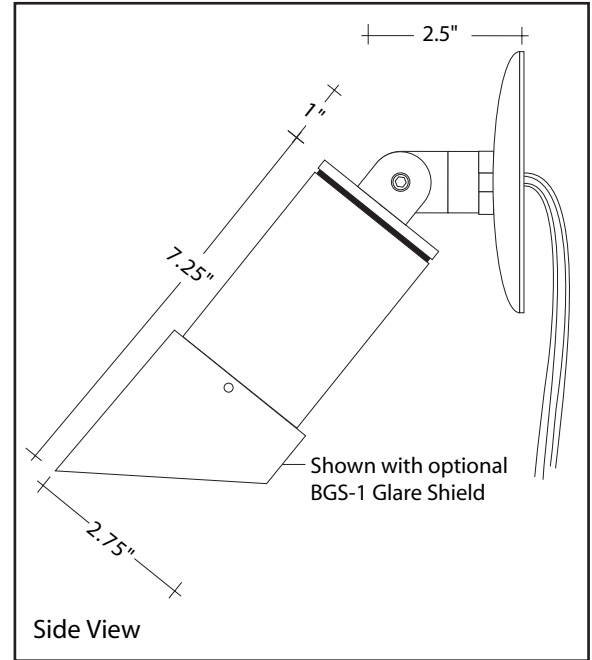
# MODEL # L-011-CM-1 / L-011-WA-CM-1

- Construction:** All brass components, 1/8" thick brass housing.  
"Centered" type swivel for architectural applications.
- Lens:** Tempered glass, stepped to prevent "pooling" of water on lens.
- Mounting:** Brass circular faceplate mounts to standard 4" diameter round "bell" type junction box (by other manufacturers). Brass locknut outside faceplate and internal stainless set screw maintain desired setting for swivel rotation.
- Finish:** Unfinished. Fixture will weather to a natural patina finish.
- Accessory:** HL-1 Honeycomb louver.  
BGS-1 Brass glare shield.
- Voltage:** 12 volts. Remote transformer required.  
See Electronic Transformer specification sheet.
- Lamp:** MR-16 bi-pin halogen, 50 watt maximum.  
L-011: Lamp is recessed in fixture to reduce glare.  
L-011-WA: Lamp is close to lens for applications requiring a wide-angle beam spread.

JR-10	10 watt medium	(24 degrees)
ESX	20 watt spot	(12 degrees)
BBF	20 watt medium	(24 degrees)
BAB	20 watt flood	(36 degrees)
*BAB/60	20 watt superwide	(60 degrees)
FMT	35 watt spot	(12 degrees)
FMV	35 watt medium	(24 degrees)
FMW	35 watt flood	(36 degrees)
*FMW/60	35 watt superwide	(60 degrees)
EXT	50 watt spot	(12 degrees)
EXZ	50 watt medium	(24 degrees)
EXN	50 watt flood	(36 degrees)
*FNV	50 watt superwide	(60 degrees)

See separate MR-16 lamp sheet for data.

\* L-011-WA only



## Ordering Example

**L - 0 1 1 - C M - 1 — B A B — H L - 1 — B G S - 1**  
 Fixture Model                      Lamp Type                      Other Accessories



Seashore Lighting • 941-753-0349 • [www.SeashoreLighting.com](http://www.SeashoreLighting.com)