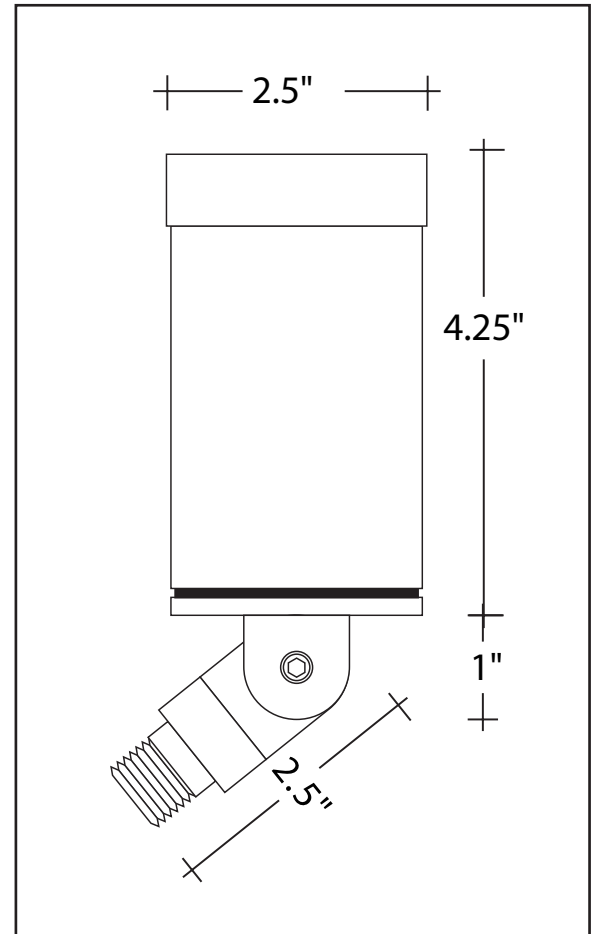


MODEL # L-011-WA

- Construction:** All brass components, 1/8" thick brass housing.
- Lens:** Tempered glass, stepped to prevent "pooling" of water on lens.
- Mounting:** 1/2" male thread. Mounts into standard J-box or:
 GS-1 Standard ground spike
 GS-2 Heavy duty ground spike
 TDM-1 Tree / Deck mount
 TDM-2 Tree mount with strap (specify length)
- Finish:** Unfinished. Fixture will weather to a natural patina finish.
- Accessory:** BGS-1 Brass glare shield.
 HL-1 Honeycomb louver.
- Voltage:** 12 volts.
- Lamp:** MR-16 bi-pin halogen, 50 watt maximum. Lamp is positioned at front of fixture for maximum wide angle beam spread (60 degrees).

JR-10	10 watt medium	(24 degrees)
ESX	20 watt spot	(12 degrees)
BBF	20 watt medium	(24 degrees)
BAB	20 watt flood	(36 degrees)
BAB/60	20 watt superwide	(60 degrees)
FMT	35 watt spot	(12 degrees)
FMV	35 watt medium	(24 degrees)
FMW	35 watt flood	(36 degrees)
FMW/60	35 watt superwide	(60 degrees)
EXT	50 watt spot	(12 degrees)
EXZ	50 watt medium	(24 degrees)
EXN	50 watt flood	(36 degrees)
FNV	50 watt superwide	(60 degrees)

See separate MR-16 lamp sheet for data.



Ordering Example

L-011-WA — BAB/60 — TDM-1 — BGS-1 — HL-1

Fixture Model

Lamp Type

Mounting
Accessory

Other Accessories



Seashore Lighting • 941-753-0349 • www.SeashoreLighting.com