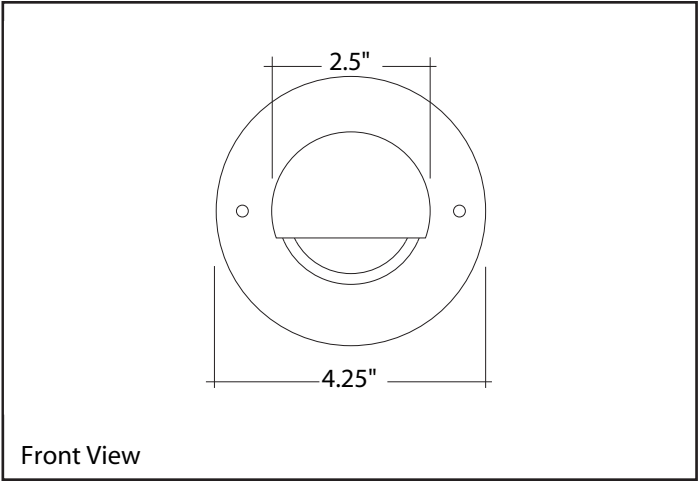
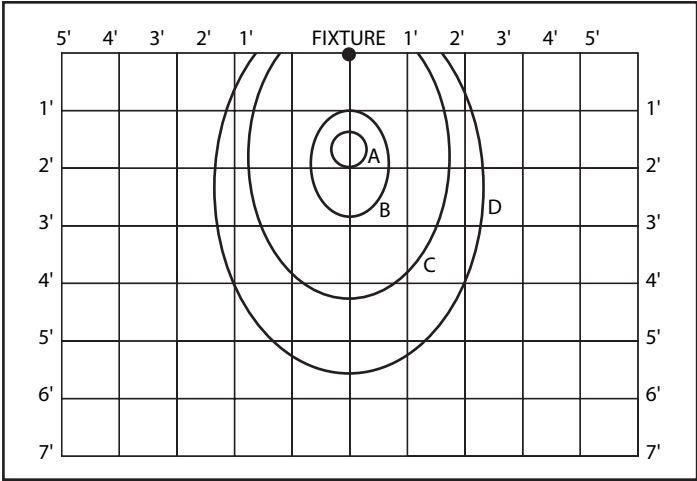
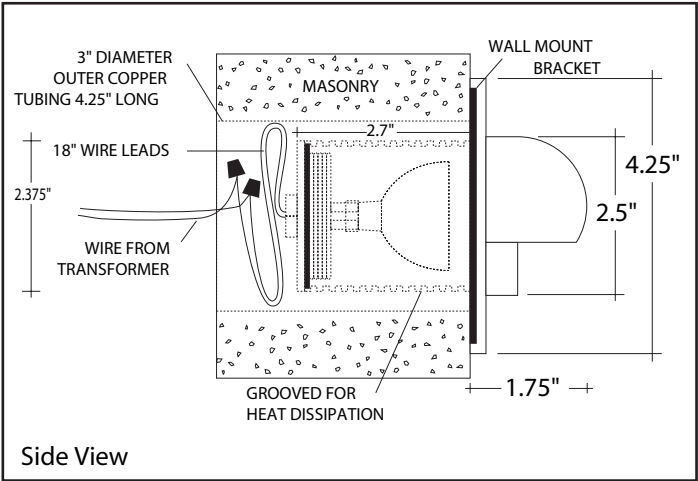


MODEL # L-012

- Construction:** All brass components, 1/8" thick brass housing.
- Lens:** FR-tempered glass, frosted (standard).
RT-tempered glass, rectilinear.
- Mounting:** Recessed concrete/masonry installation only. A 3" diameter x 4.2" deep hole is needed. Brass spacer is included for this purpose.
- Finish:** Unfinished. Fixture will weather to a natural patina finish.
- Voltage:** 12 volts.
- Lamp:** MR-16 bi-pin halogen 50 watt maximum



Horizontal footcandles at floor level with fixture mounted at 18" high

MR-16 Lamp	A	B	C	D
JR-10 (10 watt)	2.3	2.1	1.3	1.0
BAB (20 watt)	4.7	3.8	1.8	1.5
FMW(35 watt)	7.0	5.8	2.1	1.8
EXN (50 watt)	11.7	9.5	4.5	3.7

Ordering Example

L-012 — FR — BAB

Fixture Model Lens Type Lamp Type

