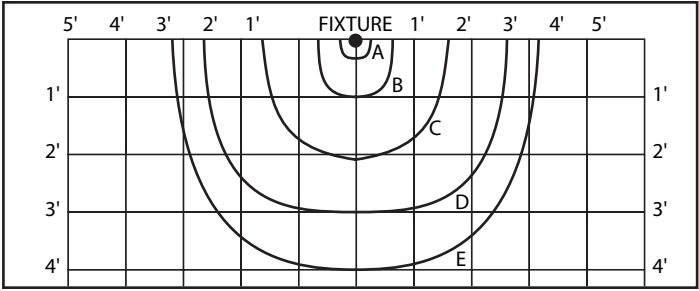
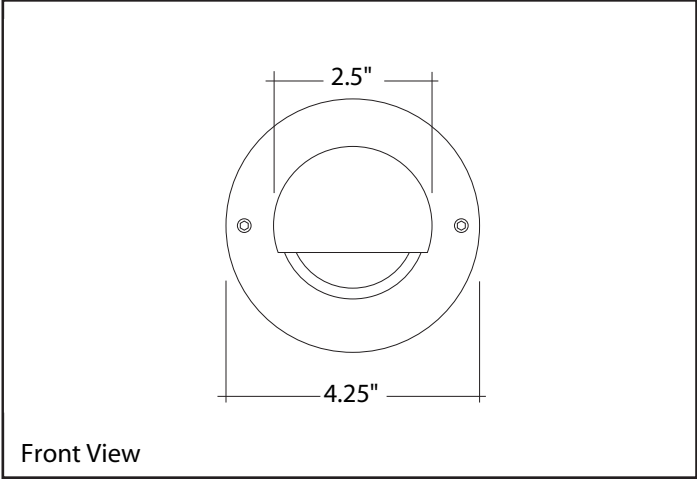
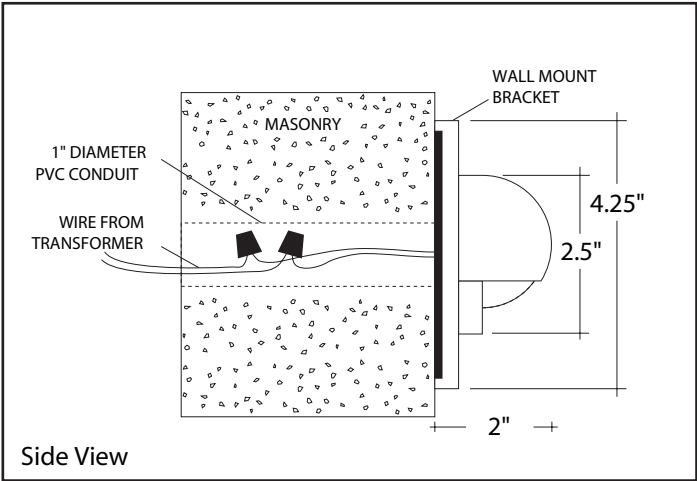


MODEL # L-012-F

Construction: All brass components, 1/8" thick brass housing.
Lens: Heat-resistant borosilicate domed glass, frosted.
Mounting: Flush mounted to wall.
Wiring: Splicing is done in either existing round recessed Junction box (for retrofits), OR within a minimum 1" diameter conduit flush with outside of wall.
Finish: Unfinished red brass. Fixture will weather to a natural patina finish.
Voltage: 12 volts, remote transformer required.
Lamp: G-4 type bi-pin halogen or xenon 35 watt max.

Concrete or wood installation
 #10W-X 10 w G-4 bi-pin xenon
 #15W-X 15 w G-4 bi-pin xenon
 #10W-H 10 w G-4 bi-pin halogen

Concrete installation only
 #20W-X 20 w G-4 bi-pin xenon
 #20W-H 20 w G-4 bi-pin halogen
 #35W-H 35 w G-4 bi-pin halogen



Horizontal footcandles at floor level with fixture mounted at 18" high

Lamp Type	A	B	C	D	E
#10W-X	7.5	3.5	1.1	.3	.1
#15W-X	11.1	5.2	1.6	.5	.2
#20W-X	15.0	7.0	2.2	.7	.2
#10W-H	9.0	6.0	1.9	.5	.2
#20W-H	18.0	12.0	4.0	1.0	.5
#35W-H	27.8	17.8	7.1	1.5	.8

Ordering Example

L - 0 1 2 - F — 1 0 W - X
 Fixture Model Lamp Type

