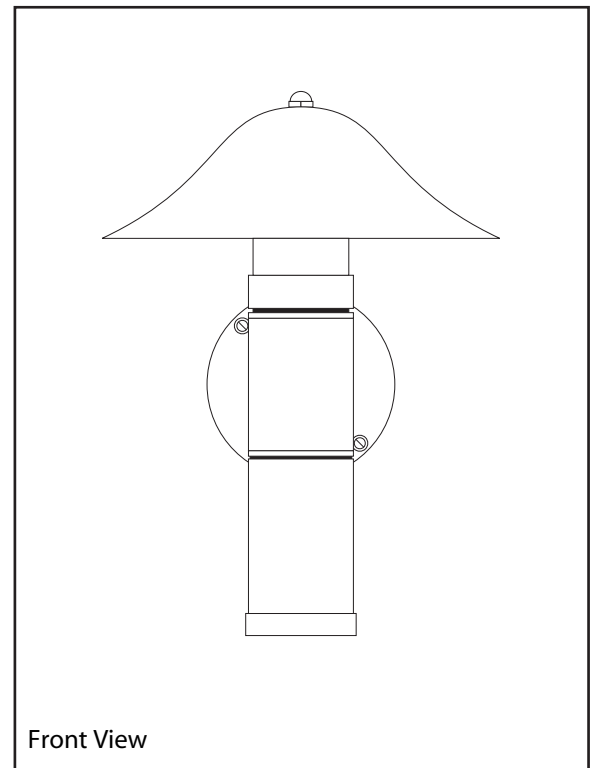
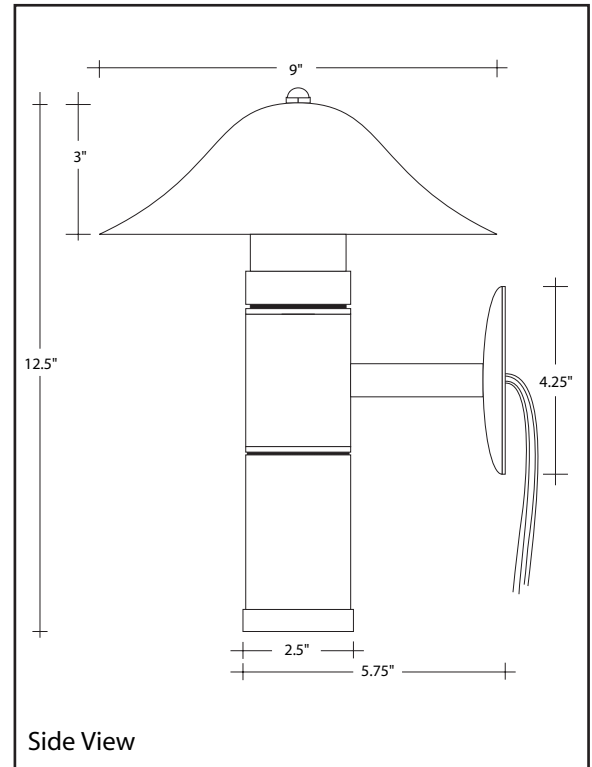


# MODEL # L-013-R3

- Construction:** Copper shade, all brass components, 1/8" thick brass housing.
- Lens Top:** Tempered, round borosilicate (frosted).
- Lens bottom:** Tempered, flat soda lime (clear).
- Mounting:** Fixture plate mounts onto recessed standard 4" round bell-type J-box with hole spacing at 3 1/2" on center (by others).
- Finish:** Unfinished. Fixture will weather to a natural patina finish.
- Voltage:** 12 volts. Remote transformer required.  
See Electronic Transformer specification sheet.
- Accessory:** HL-1 Honeycomb louver.
- Top Lamp:** #20W-H 20 watt G6.35 bi-pin halogen  
#35W-H 35 watt G6.35 bi-pin halogen (max.)
- Bottom Lamp:** MR-16 bi-pin halogen, 35 watt maximum. Lamp is recessed in fixture to reduce glare.

|       |                |              |
|-------|----------------|--------------|
| JR-10 | 10 watt medium | (24 degrees) |
| ESX   | 20 watt spot   | (12 degrees) |
| BBF   | 20 watt medium | (24 degrees) |
| BAB   | 20 watt flood  | (36 degrees) |
| FMT   | 35 watt spot   | (12 degrees) |
| FMV   | 35 watt medium | (24 degrees) |
| FMW   | 35 watt flood  | (36 degrees) |

See separate MR-16 lamp sheet for data.



## Ordering Example

L-013-R3 — 20W-H — BAB — HL-1

Fixture Model                      Lamp Type (Top)                      Lamp Type (Bottom)                      Accessory



Seashore Lighting • 941-753-0349 • [www.SeashoreLighting.com](http://www.SeashoreLighting.com)