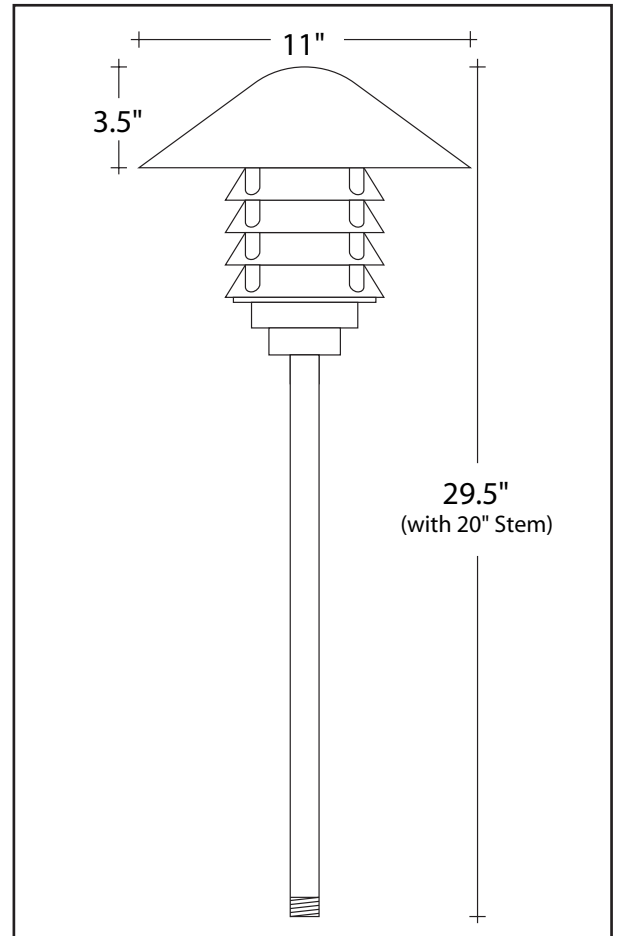


M3

- Construction: Cast bronze outer components, .110 thick or greater.
1/2 schedule 40 brass stem.
- Stem Height: 20 height is standard. 16 and 24 heights are available. Longer heights can be specified, in inches.
- Lens: Industry-standard vaporproof, prismatic, tempered glass.
- Mounting: 1/2 male thread. Mounts to:
GS2BC Ground spike (bronze cap)
JB Bronze junction box
- Finish: Unfinished. Fixture will weather to a natural patina finish.
- Lamp (120V): 27CFL 27 watt fluorescent (standard)
50MH 50 watt ED17 metal halide
70MH 70 watt ED17 metal halide
100MH 100 watt ED17 metal halide
- Lamp (12V): 50H12 50 watt GY6.35 halogen
75H12 75 watt GY6.35 halogen
- Accessories: FM* Ballast box with fixture mount
RB* Remote ballast box
**metal halide lamp only*

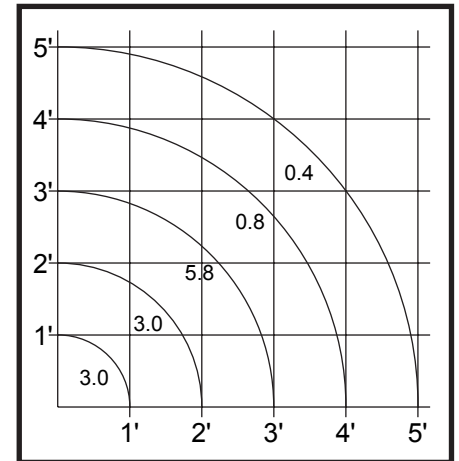
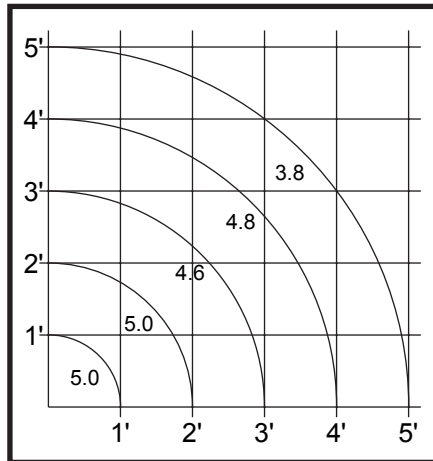
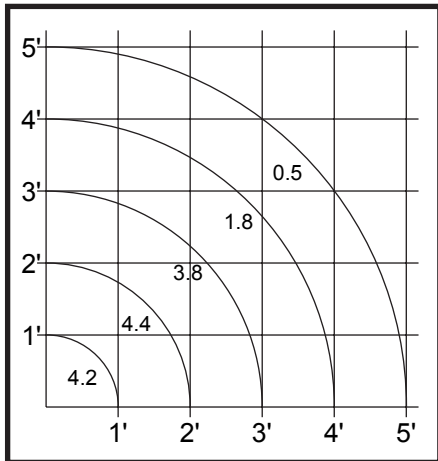


Horizontal footcandles at radius from fixture with standard 20 stem height

27 watt fluorescent

50 watt metal halide
70 watt metal halide multiply by 1.4
100 watt metal halide multiply by 2.0

50 watt GY6.35 halogen
75 watt multiply by 1.5



Specification Example

M3 20 70MH FM

Fixture Model Stem Height Lamp Accessory

Seashore Lighting • 941-753-0349 • www.SeashoreLighting.com