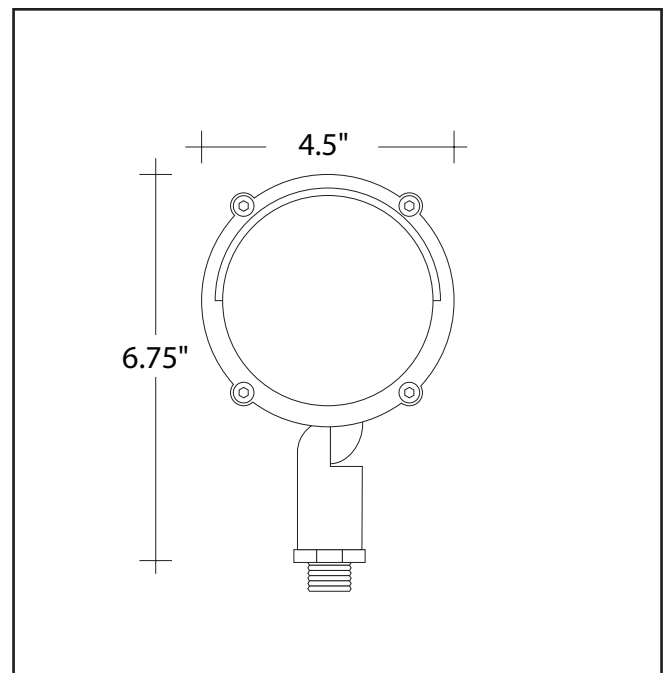
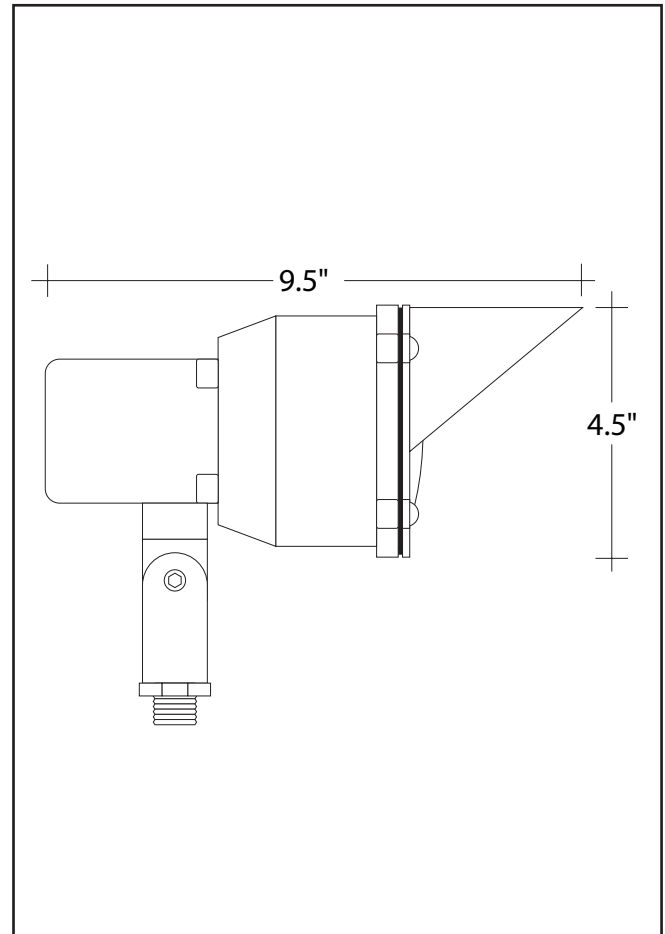


M30

- Construction:** Cast bronze housing with stainless steel screws.
- Lens:** Clear, tempered convex glass, with "C" shaped silicone gasket around outer lens flange.
- Mounting:** 1/2" male thread with brass locknut. Mounts to:
 GS2BC Ground spike (bronze cap)
 JB Bronze junction box
 TMJB Tree-mounted bronze junction box
 FM* Ballast box with fixture mount
- Finish:** Unfinished. Fixture will weather to a natural patina finish.
- Lamp (120V):**
- | | |
|--------------|---------------------------------|
| 35PAR30LNSP | 35 watt halogen, 9 degree |
| 35PAR30LWFL | 35 watt halogen, 50 degree |
| 50PAR30LNSP | 50 watt halogen, 9 degree |
| 50PAR30LWFL | 50 watt halogen, 25 degree |
| 50PAR30LNWFL | 50 watt halogen, 50 degree |
| 75PAR30LNSP | 75 watt halogen, 9 degree |
| 75PAR30LWFL | 75 watt halogen, 25 degree |
| 75PAR30LNWFL | 75 watt halogen, 50 degree |
| 39PAR20MHSP | 39 watt metal halide, 10 degree |
| 39PAR20MHFL | 39 watt metal halide, 30 degree |
| 70PAR30MHSP | 70 watt metal halide, 12 degree |
| 70PAR30MHFL | 70 watt metal halide, 30 degree |
- Lamp (12V):**
- | | |
|--------|----------------------------------|
| EYF | 75 watt MR-16 halogen, 12 degree |
| EYJ | 75 watt MR-16 halogen, 24 degree |
| EYC | 75 watt MR-16 halogen, 36 degree |
| EYC/60 | 75 watt MR-16 halogen, 60 degree |
- Accessories:**
- | | |
|-----|--------------------------------|
| FM* | Ballast box with fixture mount |
| RB* | Remote ballast box |
- *metal halide lamp only*



Specification Example

M30 — 39PAR20MH/SP — FM

Fixture Model

Lamp

Accessory

Seashore Lighting • 941-753-0349 • www.SeashoreLighting.com