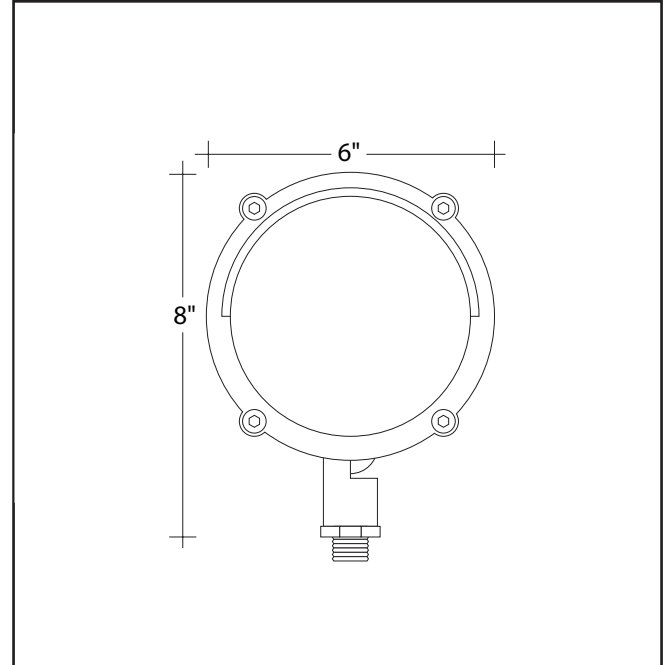
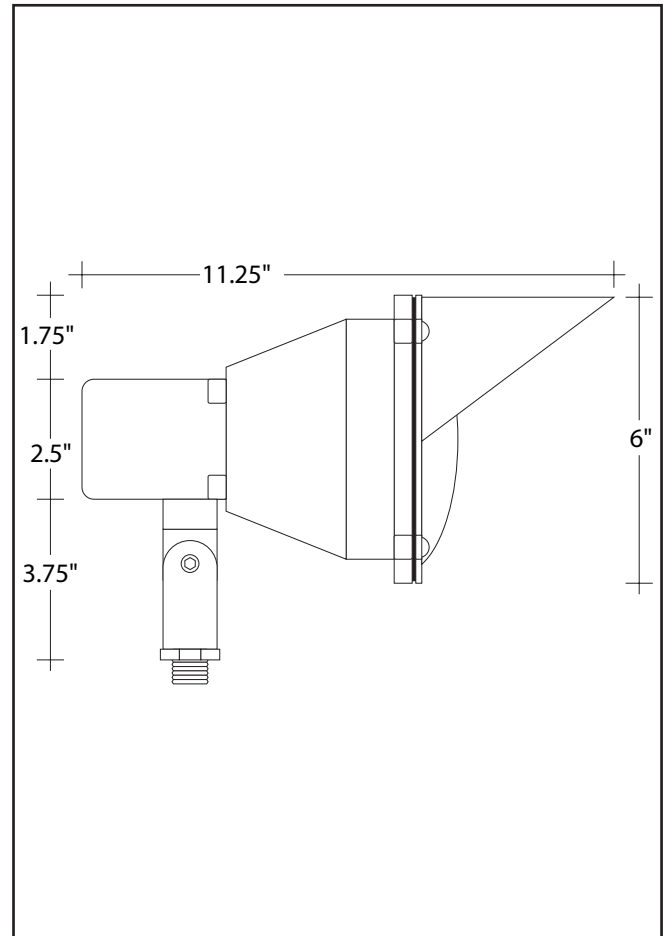


# M38

- Construction:** Cast bronze housing with stainless steel screws.
- Lens:** Clear, tempered convex glass, with "C" shaped silicone gasket around outer lens flange.
- Mounting:** 1/2" male thread with brass locknut. Mounts to:  
 GS2  
 GS2BC Ground spike (bronze cap)  
 JB Bronze junction box  
 TMJB Tree-mounted bronze junction box  
 FM\* Ballast box with fixture mount
- Finish:** Unfinished. Fixture will weather to a natural patina finish.
- Lamp (120V):**
- |               |                                  |
|---------------|----------------------------------|
| 100PAR38H/NSP | 100 watt halogen, 10 degree      |
| 100PAR38H/NFL | 100 watt halogen, 25 degree      |
| 100PAR38H/FL  | 100 watt halogen, 40 degree      |
| 120PAR38H/NSP | 120 watt halogen, 10 degree      |
| 120PAR38H/FL  | 120 watt halogen, 30 degree      |
| 120PAR38H/WFL | 120 watt halogen, 55 degree      |
|               |                                  |
| 70PAR38MHSP   | 70 watt metal halide, 20 degree  |
| 70PAR38MHFL   | 70 watt metal halide, 35 degree  |
| 70PAR38MHWFL  | 70 watt metal halide, 65 degree  |
| 100PAR38MHSP  | 100 watt metal halide, 20 degree |
| 100PAR38MHFL  | 100 watt metal halide, 35 degree |
| 100PAR38MHWFL | 100 watt metal halide, 65 degree |
| 150PAR38MHSP  | 150 watt metal halide, 20 degree |
| 150PAR38MHFL  | 150 watt metal halide, 35 degree |
| 150PAR38MHWFL | 150 watt metal halide, 65 degree |
- Accessories:**
- |     |                                |
|-----|--------------------------------|
| FM* | Ballast box with fixture mount |
| RB* | Remote ballast box             |
|     | <i>*metal halide lamp only</i> |



## Specification Example

M38 — 100PAR38H/NFL — JB

Fixture Model

Lamp

Accessory

Seashore Lighting • 941-753-0349 • [www.SeashoreLighting.com](http://www.SeashoreLighting.com)