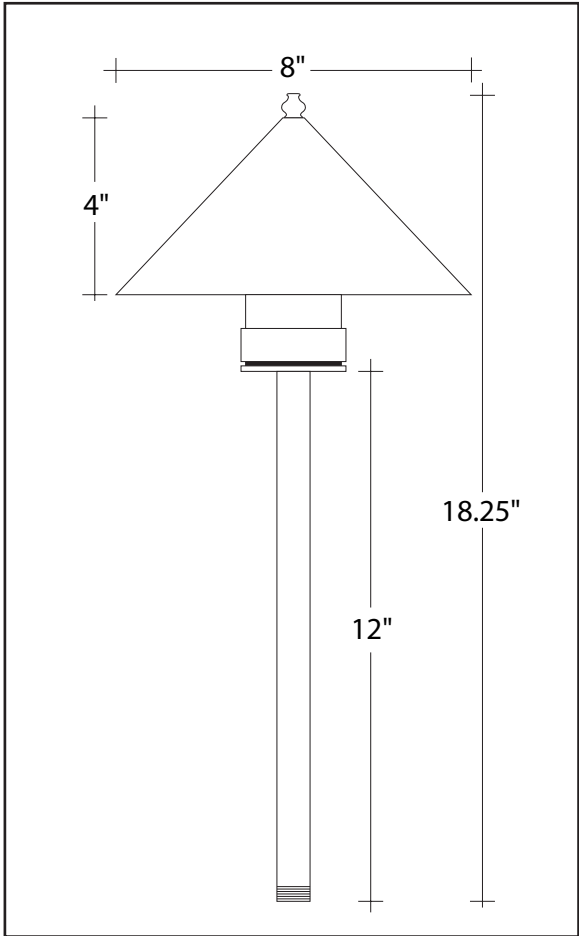


MODEL # R-007

- Construction: All brass components, 1/2" schedule 40 brass stem, copper shade (18 ga).
- Stem Height: 12" height is standard. 8", 16" and 20" stem heights are available options.
- Lens: Borosilicate frosted glass (1/4" thick) is standard.
- Mounting: 1/2" male thread. Mounts into standard J-box or:
 GS-1 Standard ground spike.
 GS-2 Heavy duty ground spike.
- Finish: Unfinished. Fixture will weather to a natural patina finish.
- Voltage: 12 volts.
- Lamp:

| | |
|--------------------|------------------------------|
| #S8-18W (standard) | 18 watt S-8 incandescent |
| #S8-13W | 13 watt S-8 incandescent |
| #S8-26W | 26 watt S-8 incandescent |
| #10W-X | 10 watt G-4 bi-pin xenon |
| #15W-X | 15 watt G-4 bi-pin xenon |
| #20W-X | 20 watt G-4 bi-pin xenon |
| #10W-H | 10 watt G-4 bi-pin halogen |
| #20W-H | 20 watt G6.35 bi-pin halogen |
| #35W-H | 35 watt G6.35 bi-pin halogen |



Horizontal footcandles at radius from fixture with standard 12" stem height

| Lamp: | 1' | 2' | 3' | 4' | 5' | 6' |
|---------|------|-----|-----|-----|-----|-----|
| #S8-18W | 4.3 | 2.3 | 1.6 | 1.2 | 1.0 | .7 |
| #S8-13W | 3.7 | 1.8 | 1.2 | 1.0 | .8 | .5 |
| #S8-26W | 7.9 | 3.3 | 2.0 | 1.4 | 1.2 | .9 |
| #10W-X | 2.3 | 1.7 | 1.3 | 1.0 | .8 | .6 |
| #15W-X | 3.4 | 2.0 | 1.4 | 1.1 | .9 | .7 |
| #20W-X | 4.3 | 2.5 | 1.7 | 1.4 | 1.1 | .9 |
| #20W-H | 6.3 | 3.6 | 1.9 | 1.4 | 1.2 | 1.0 |
| #35W-H | 10.7 | 5.7 | 2.7 | 1.8 | 1.5 | 1.2 |

Ordering Example

R-007 — 12 — S8-18W — GS-2
 Fixture Model Stem Height Lamp Type Mounting Accessory (if any)

