

MODEL # R-019

Construction: All brass components, 1/2" schedule 40 brass stem, copper shade (18 ga.).

Stem Height: 2" height is standard. 8", 16" and 20" stem heights are available options.

Lens: Borosilicate frosted glass (1/4" thick) is standard.

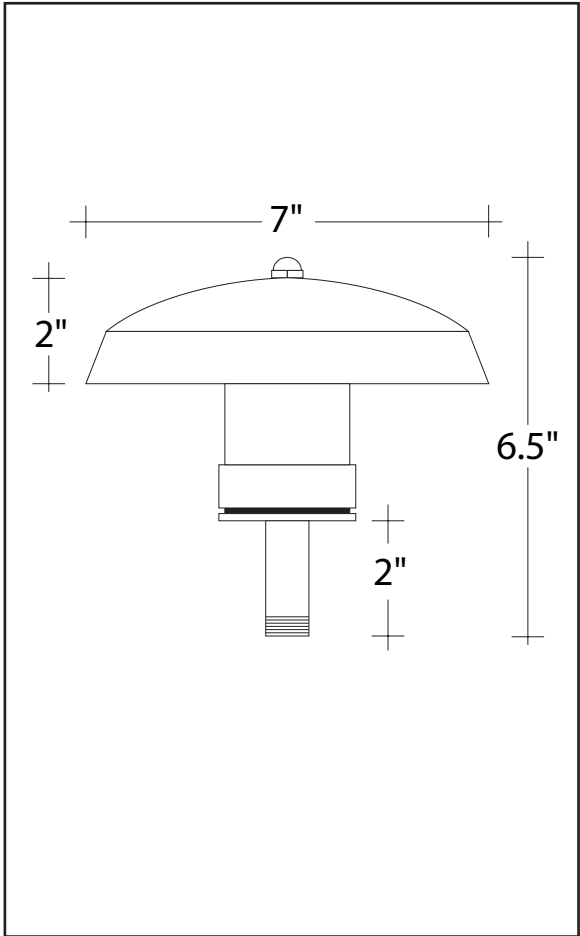
Mounting: 1/2" male thread. Mounts into standard J-box or:
 GS-1 Standard ground spike.
 GS-2 Heavy duty ground spike.

Finish: Unfinished. Fixture will weather to a natural patina finish.

Voltage: 12 volts.

Lamp:

#S8-18W (standard)	18 watt S-8 incandescent
#S8-13W	13 watt S-8 incandescent
#S8-26W	26 watt S-8 incandescent
#10W-X	10 watt G-4 bi-pin xenon
#15W-X	15 watt G-4 bi-pin xenon
#20W-X	20 watt G-4 bi-pin xenon
#10W-H	10 watt G-4 bi-pin halogen
#20W-H	20 watt G6.35 bi-pin halogen
#35W-H	35 watt G6.35 bi-pin halogen



Horizontal footcandles at radius from fixture with standard 2" stem height

Lamp:	1'	2'	3'	4'	5'	6'
#S8-18W	4.3	1.8	1.5	1.1	.9	.7
#S8-13W	3.8	1.7	1.4	1.0	.8	.6
#S8-26W	7.9	3.3	2.0	1.4	1.2	.9
#10W-X	2.3	1.3	1.0	.7	.5	—
#15W-X	3.2	1.8	1.3	1.0	.7	.5
#20W-X	4.1	1.9	1.4	1.2	1.0	.7
#20W-H	7.0	2.1	1.7	1.4	1.1	.8
#35W-H	11.7	3.0	2.0	1.6	1.4	1.2

Ordering Example

R-019 — 2 — S8-18W — GS-2
 Fixture Model Stem Height Lamp Type Mounting Accessory (if any)

