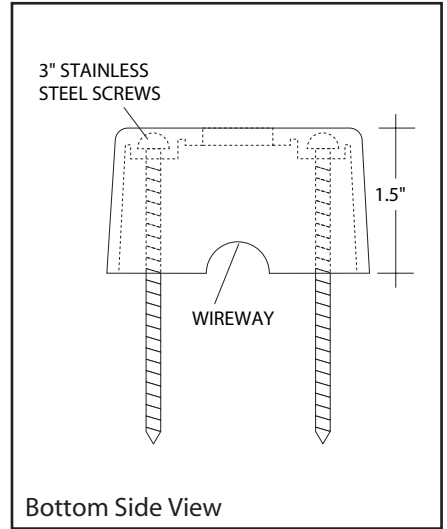
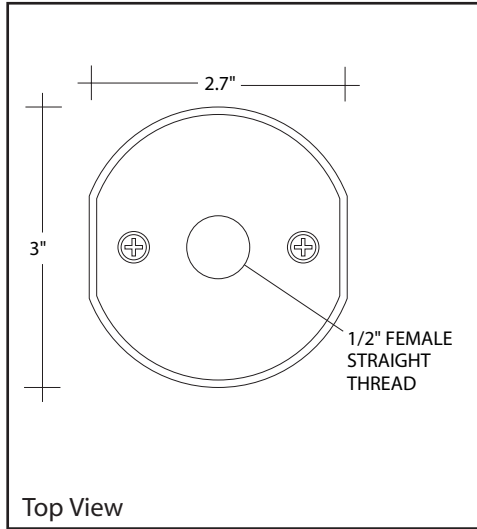


MODEL # TDM-1

Bronze tree and deck mount for most directional and pathway fixtures.

(2) Stainless steel screws (#10 x 3" long) ensure solid attachment to tree or deck. Longer and shorter length screws are available.

5/8" diameter wireway on bottom side accommodates up to 10/2 direct burial wire; allows splicing within mounting.



MODEL # TDM-2

Bronze tree mount for up/down directional fixtures.

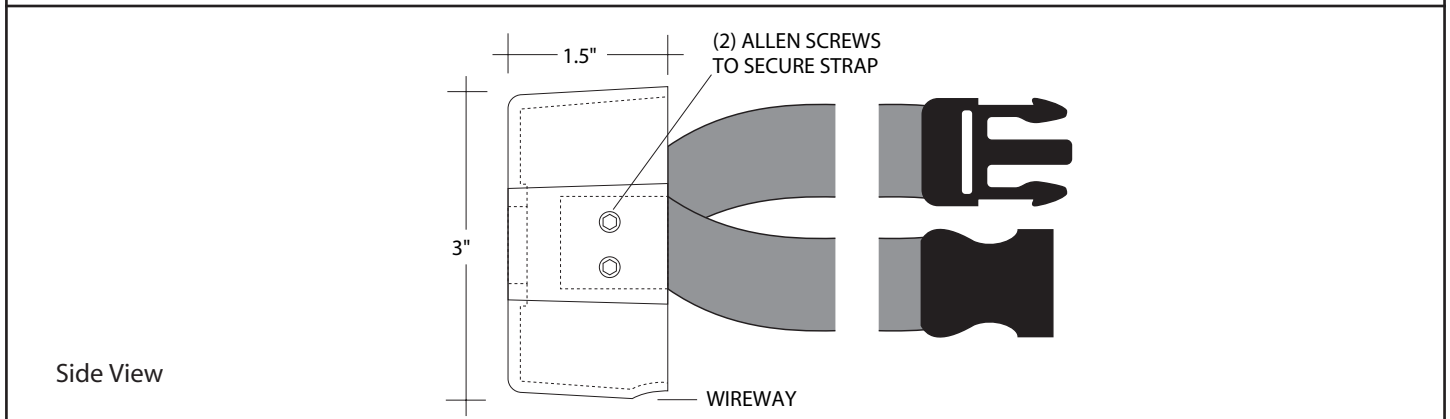
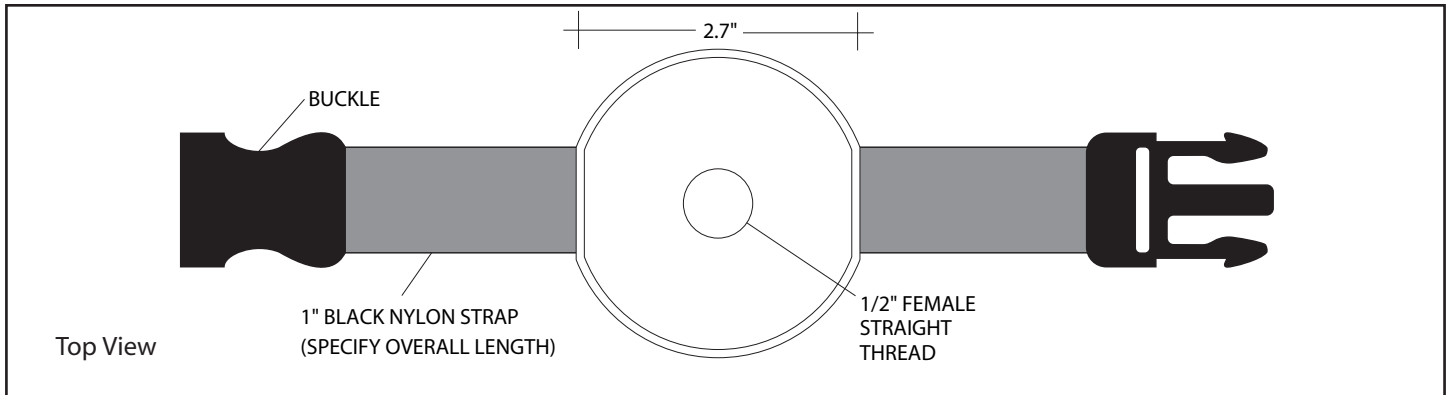
1" black nylon strap (specify length) is attached to sides of mount. A non-corroding plastic side-snap buckle secures mounting.

TDM-2 - 48

48" strap length

TDM-2 - 60

60" strap length



Ordering Example

TDM-2 — 48

Mounting Model

Strap length
(in inches)